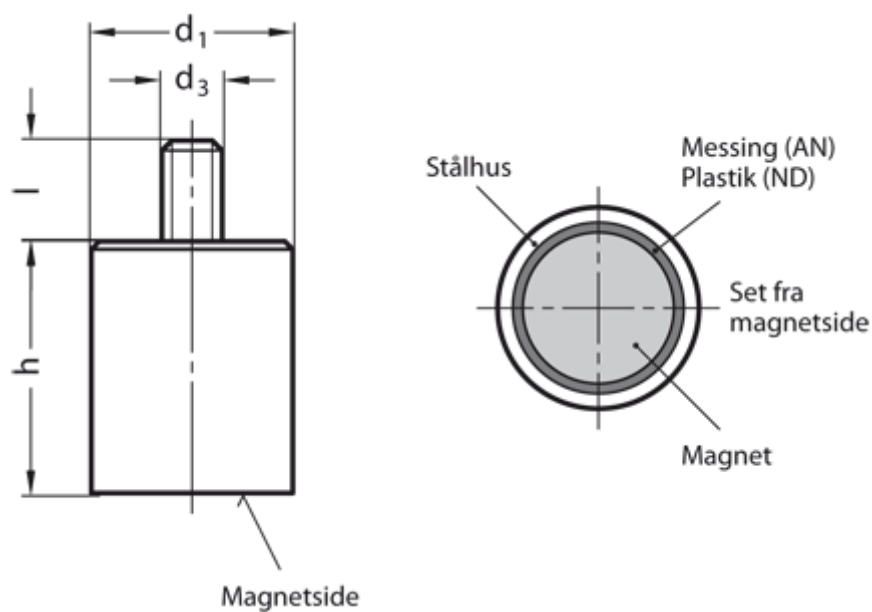


Article number: 201241390A

Description: E+G Retaining magnets with threaded stud GN 52.4-AN-13-M4-E
Alu, Nickel, Cobalt - 450° C, 12N

Measures



d1 = 13

d3 = M4

h = 20 ±0,2

Holding force N = 12.0

l = 8

Material = AN Alu, nickel, cobalt, 450°C